

5-channel BTL driver for CD players

BA6995FP

The BA6995FP is 5-channel BTL driver for CD and MD player actuators and spindle, thread and loading motors. The spindle driver and loading driver share a single buffer, and either can be driven via the control pin.

●Applications

CD and MD players and other optical disc applications

●Features

- 1) 28-pin HSOP package allows for miniaturization of applications.
- 2) Gain is adjustable with a single attached resistor.
- 3) Wide dynamic range (5 or 4V when $V_{CC}=8V$)
- 4) Adaptable for low-voltage servos.

●Absolute maximum ratings ($T_a=25^\circ\text{C}$)

Parameter	Symbol	Limits	Unit
Power supply voltage	V_{CC}	18	V
Power dissipation	P_d	1800*1 2900*2	mW
Operating temperature range	T_{opr}	-35~85	$^\circ\text{C}$
Storage temperature range	T_{stg}	-55~150	$^\circ\text{C}$

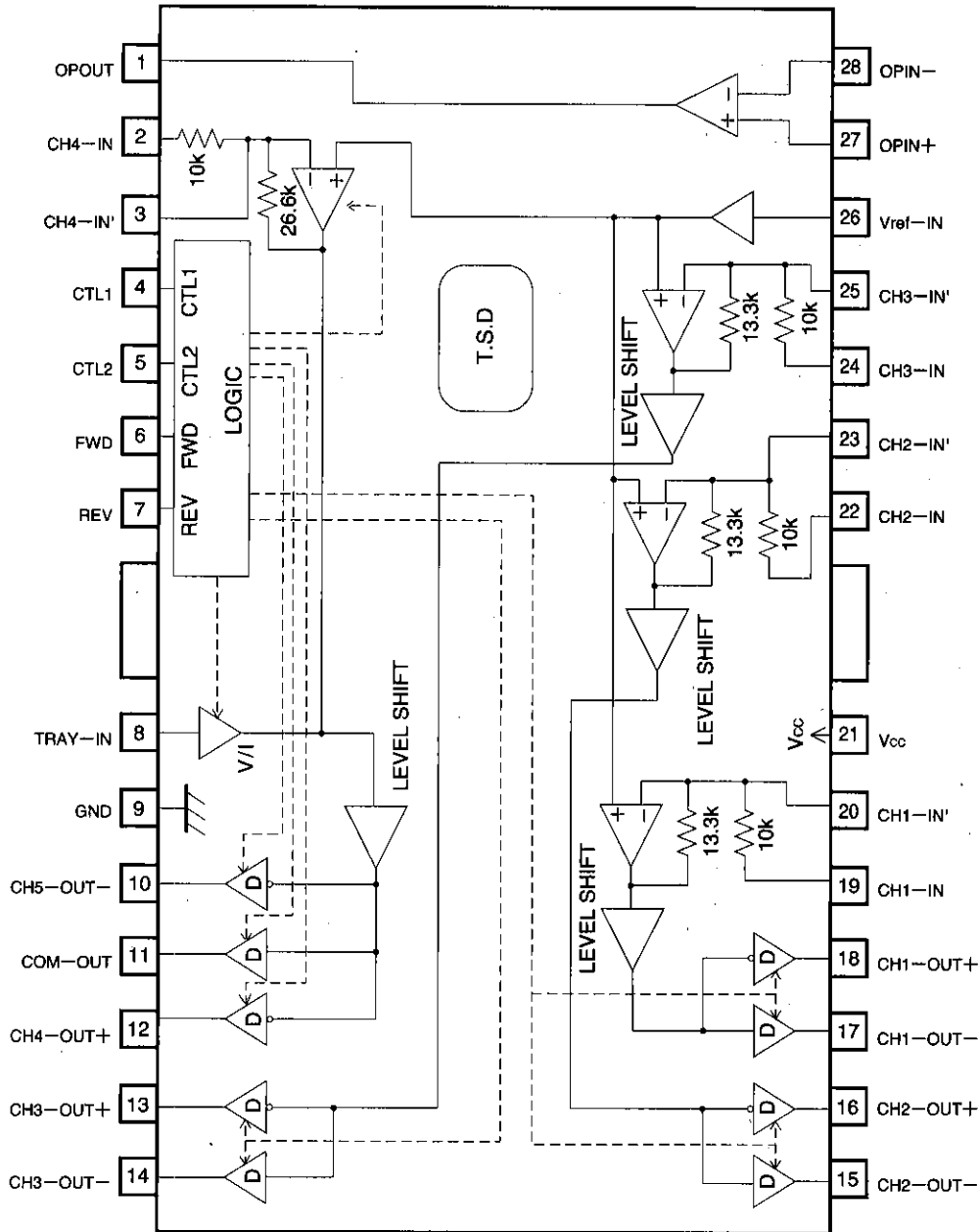
*1. When mounted to a 70 mm × 70 mm × 1.6 mm glass epoxy board with less than 3% copper foil
Reduced by 14.4 mW for each increase in T_a of 1 $^\circ\text{C}$ over 25 $^\circ\text{C}$.

*2. When mounted to a 70 mm × 70 mm × 1.6 mm glass epoxy board with less than 60% copper foil
Reduced by 23.2 mW for each increase in T_a of 1 $^\circ\text{C}$ over 25 $^\circ\text{C}$.

●Recommended operating conditions ($T_a=25^\circ\text{C}$)

Parameter	Symbol	Min.	Typ.	Max.	Unit
Power supply voltage	V_{CC}	5	—	12	V

● Block diagram



CD/CD-ROM Drivers (5~6 channels)

For CDs/CD-ROMs

Optical Disc ICs

●Pin description

Pin No.	Pin name	Function
1	OPOUT	Operational amplifier output
2	CH4-IN	Channel 4 input
3	CH4-IN'	Channel 4 gain adjustment input
4	CTL1	Control 1 input
5	CTL2	Control 2 input
6	FWD	Tray forward input
7	REV	Tray reverse input
8	TRAY-IN	Tray input
9	GND	Substrate ground
10	CH5-OUT-	Tray negative output
11	COM-OUT	Tray positive output/channel 4 negative output
12	CH4-OUT+	Channel 4 positive output
13	CH3-OUT+	Channel 3 positive output
14	CH3-OUT-	Channel 3 negative output
15	CH2-OUT-	Channel 2 negative output
16	CH2-OUT+	Channel 2 positive output
17	CH1-OUT-	Channel 1 negative output
18	CH1-OUT+	Channel 1 positive output
19	CH1-IN	Channel 1 input
20	CH1-IN'	Channel 1 gain adjustment input
21	Vcc	Vcc
22	CH2-IN	Channel 2 input
23	CH2-IN'	Channel 2 gain adjustment input
24	CH3-IN	Channel 3 input
25	CH3-IN'	Channel 3 gain adjustment input
26	Vref-IN	Bias amplifier input
27	OPIN+	Operational amplifier non-inverted input
28	OPIN-	Operational amplifier inverted input

●Electrical characteristics (Unless otherwise noted, $T_a=25^\circ\text{C}$, $V_{CC}=8\text{V}$, $R_L=8\ \Omega$)

Parameter	Symbol	Min.	Typ.	Max.	Unit	Conditions
Power supply voltage	I_{CC}	—	13	18	mA	No load
Output voltage 1, offset	V_{OO}	-40	—	40	mV	CH1~CH3
Output voltage 2, offset	V_{OO}	-100	—	100	mV	CH4
Maximum output pin voltage 1	V_{OHD1}	4.8	5.4	—	V	$V_{in}=V_{CC}$
Maximum output pin voltage 2	V_{OHD2}	—	-5.4	-4.8	V	$V_{in}=\text{GND}$
Closed loop voltage gain 1	G_{VC1}	6.5	8.0	9.5	dB	$V_{in}=\pm 0.5\text{V}$ (excluding CH4)
Closed loop voltage gain 2	G_{VC2}	11.5	14.0	16.5	dB	$V_{in}=\pm 0.5\text{V}$ (CH4)
Ripple rejection	RR	—	60	—	dB	$V_{in}=0.1\text{V}_{rms}$, 100Hz
Slew rate	SR	—	2.0	—	V/ μS	100 Hz square wave, 3 Vp-p output
《Tray driver》						
Output voltage F	V_{OF}	2.5	3.0	3.5	V	Pin 8 voltage = 3 V
Output voltage R	V_{OR}	-3.5	-3.0	-2.5	V	Pin 8 voltage = 3 V
Output voltage range F	V_{OMF}	4.8	5.4	—	V	Pin 8 voltage = 6 V
Output voltage range R	V_{OMR}	—	-5.4	-4.8	V	Pin 8 voltage = 6 V
Load regulation F	ΔV_{FI}	—	250	500	mV	$I_L = 100\text{-}400\text{ mA}$, pin 8 voltage = 2.5 V
Load regulation R	ΔV_{FI}	—	250	500	mV	$I_L = 100\text{-}400\text{ mA}$, pin 8 voltage = 2.5 V
Line regulation F	ΔV_{FL}	—	300	600	mV	$V_{CC} = 5\text{-}12\text{ V}$, pin 8 voltage = 2.5 V
Line regulation R	ΔV_{RL}	—	300	600	mV	$V_{CC} = 5\text{-}12\text{ V}$, pin 8 voltage = 2.5 V
Output voltage, offset	V_{OOL}	-50	—	50	mV	Braking, output voltage
《Logic: CT1, CTL2, FWD and REV》						
Input voltage, high level	V_{IH}	2.0	—	V_{CC}	V	
Input voltage, low level	V_{IL}	-0.3	—	0.5	V	
Input current, high level	I_{IH}	—	—	500	μA	
Input current, low level	I_{IL}	—	—	500	μA	
《Operational amplifier》						
Offset voltage	V_{OFOP}	-6	0	6	mV	
Input bias current	I_{BIAS}	—	30	300	nA	
Output voltage, high level	V_{OHOP}	7.1	7.8	—	V	
Output voltage, low level	V_{OLOP}	—	0.2	0.9	V	
Output drive current (source)	I_{OSO}	1	3	—	mA	GND at 50 Ω
Output drive current (sink)	I_{OSI}	10	30	—	mA	V_{CC} at 50 Ω
Slew rate	SR_{OP}	—	1	—	V/ μS	100 Hz square wave, 4 Vp-p output
Ripple rejection	SR_{OP}	—	60	—	dB	$V_{in}=0.1\text{V}_{rms}$, 100Hz
Synchronous signal rejection	CMRR	—	84	—	dB	$V_{in}=0.1\text{V}_{rms}$, 1kHz

CD/CD-ROM Drivers (5~6 channels)

For CDs/CD-ROMs

● Measurement circuit

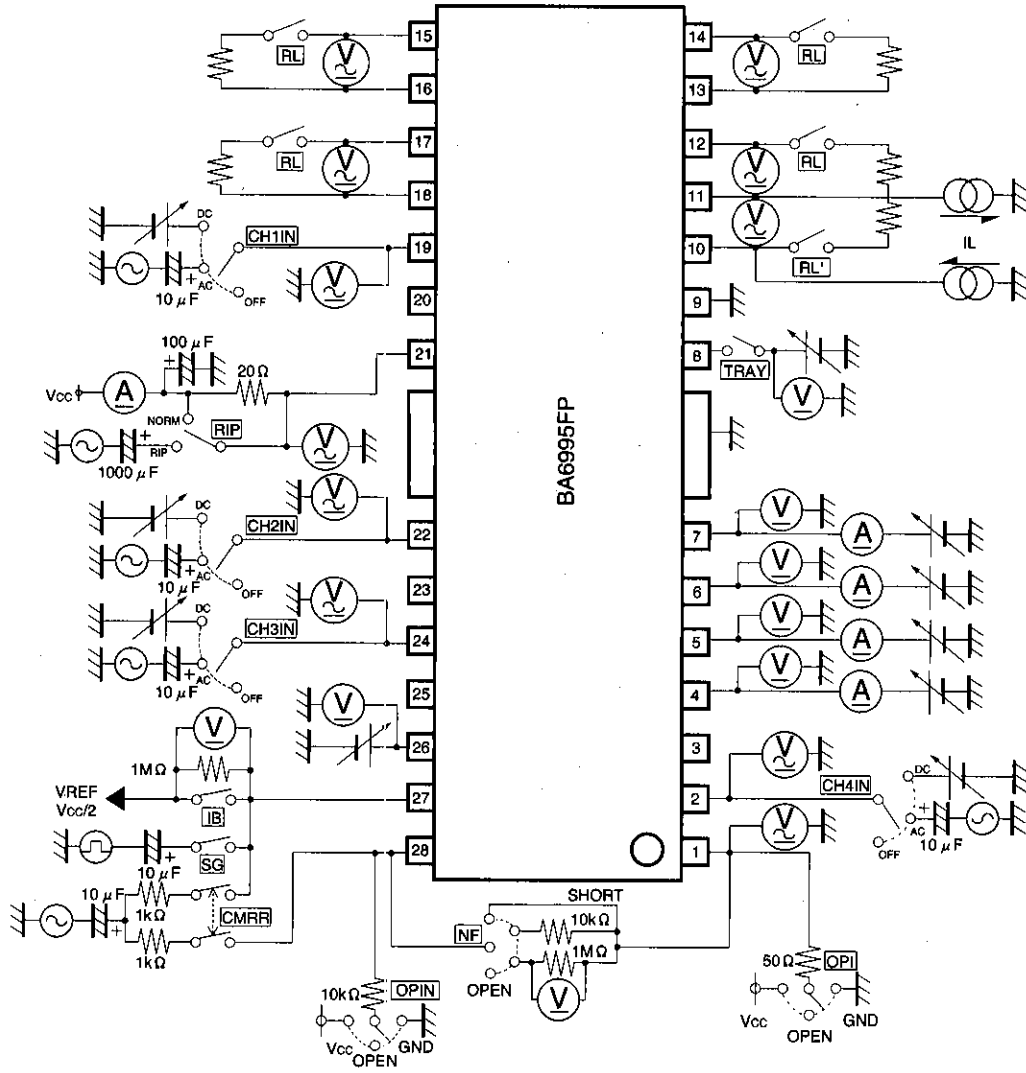


Fig. 1

●Function description
CTL1 and CTL2

CTL1	CTL2	CH1	CH2	CH3	CH4	CH5
L	L	OFF				ON
L	H	OFF				ON
H	L	ON				OFF
H	H	OFF	ON	OFF	ON	

Note: Output is at high impedance when OFF.

Foward and reverse (enabled only when channel 5 control and channel 5 are ON)

F	R	Output mode
L	L	High impedance
L	H	Reverse
H	L	Forward
H	H	Brake (free rotation)

●Application example

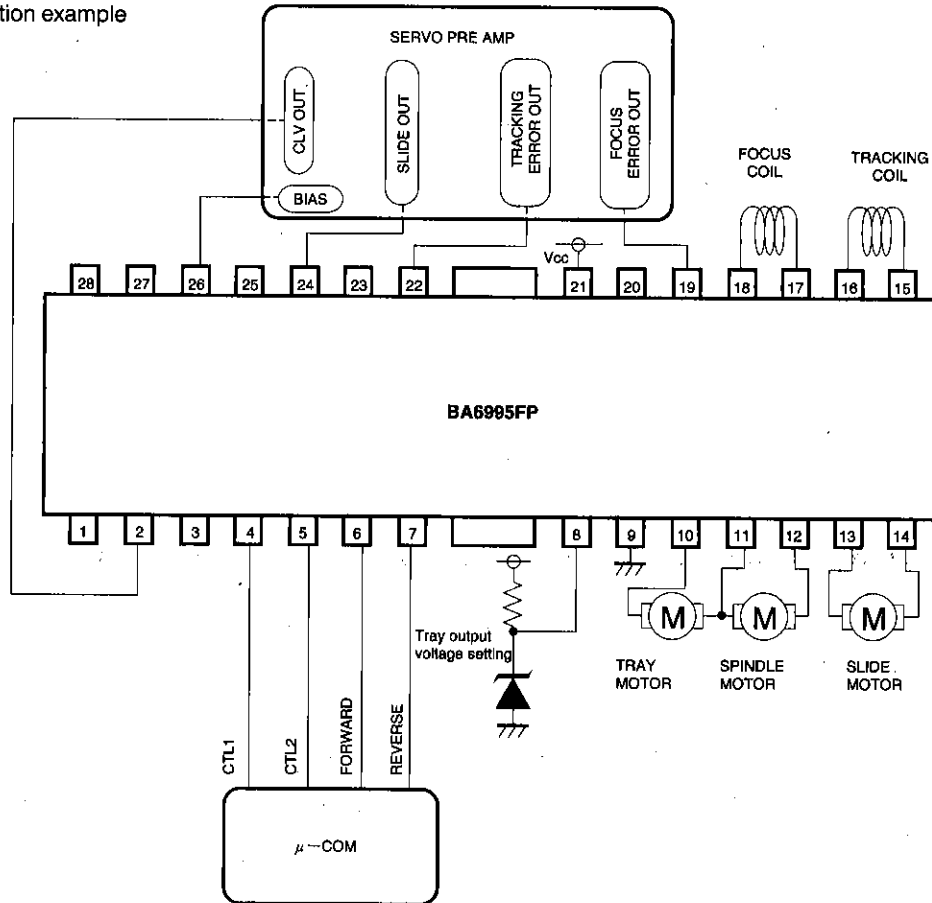
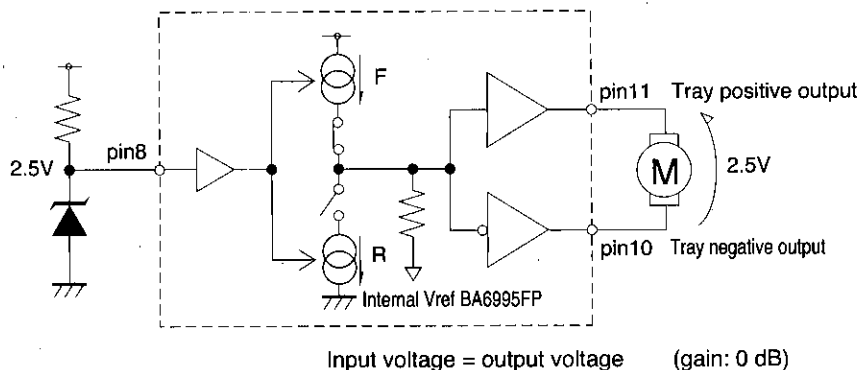


Fig. 2

● Operation notes

(1) Relay motor driver voltage setting (forward mode)



Note: Tray driver output voltage cannot be set higher than the maximum output voltage for the power supply. The example above applies only when setting below the maximum output voltage. Maximum output voltage for the power supply can be output by pulling up the tray input pin (pin 8), or by connecting it to Vcc.

(2) Muting

《 Thermal shutdown 》

The output current is muted when the chip temperature exceeds 175°C (typically).

《 Supply voltage drop muting 》

The internal circuits turn off when the supply voltage drops below 4.3V (typically), and turn on again when it rises above 4.5V (typically).

(3) Muting occurs during thermal shutdown and when the supply voltage drops. In either case, only the driver is muted. The output pin voltage during muting is the internal bias voltage, roughly $V_{cc}/2$.

(4) Be sure to connect the IC to a 0.1 μF bypass capacitor to the power supply, at the base of the IC.

(5) Connect the radiating fin to an external ground.

● Electrical characteristic curves

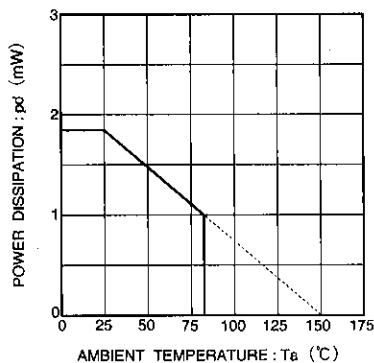


Fig. 3 Thermal derating curve

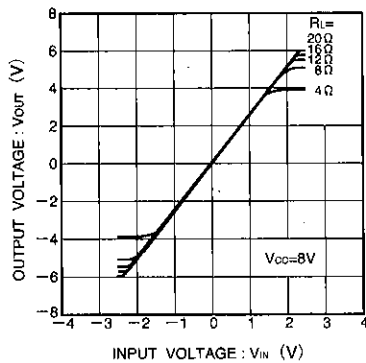


Fig. 4 CH1-CH3 driver I/O characteristics (variable load)

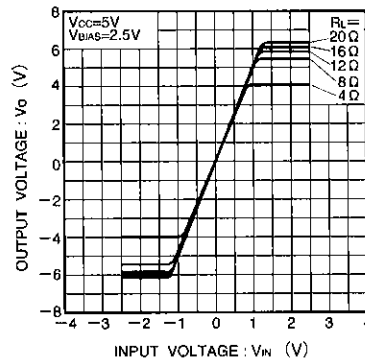


Fig. 5 Driver I/O characteristics

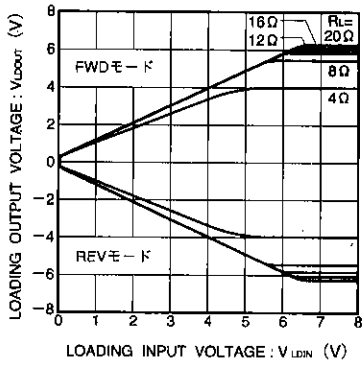


Fig. 6 CH5 loading driver I/O characteristics

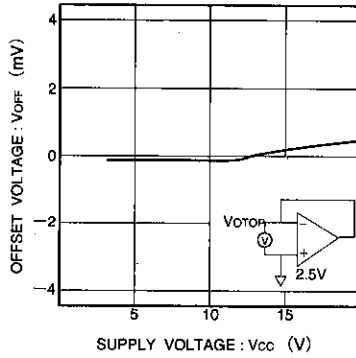


Fig. 7 Supply voltage vs. I/O offset voltage

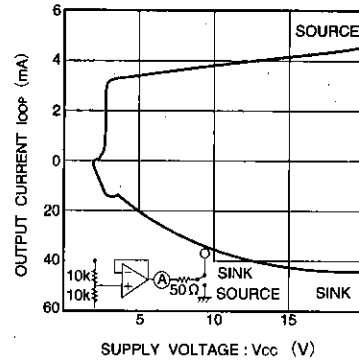


Fig. 8 Supply voltage vs. operational amplifier drive current

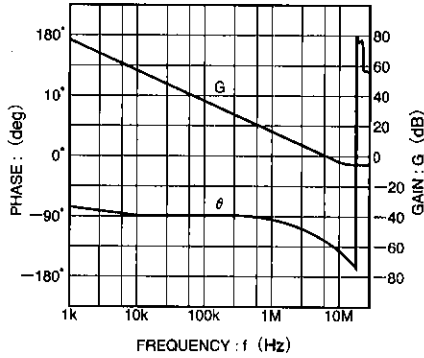
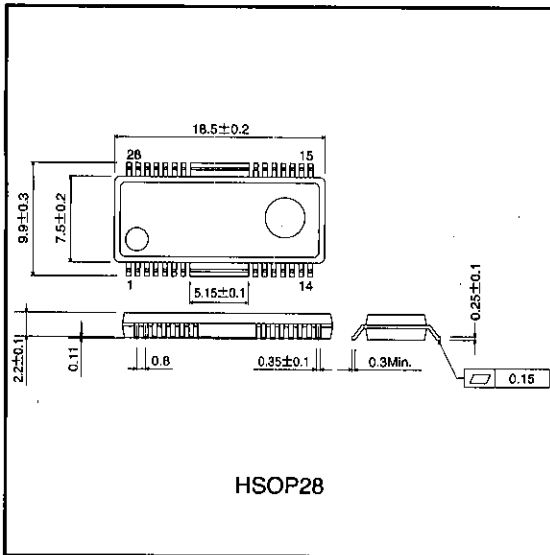


Fig. 9: Operational amplifier vs. open loop characteristics

● External dimensions (Units: mm)



Notes

- The contents described in this catalogue are correct as of March 1997.
- No unauthorized transmission or reproduction of this book, either in whole or in part, is permitted.
- The contents of this book are subject to change without notice. Always verify before use that the contents are the latest specifications. If, by any chance, a defect should arise in the equipment as a result of use without verification of the specifications, ROHM CO., LTD., can bear no responsibility whatsoever.
- Application circuit diagrams and circuit constants contained in this data book are shown as examples of standard use and operation. When designing for mass production, please pay careful attention to peripheral conditions.
- Any and all data, including, but not limited to application circuit diagrams, information, and various data, described in this catalogue are intended only as illustrations of such devices and not as the specifications for such devices. ROHM CO., LTD., disclaims any warranty that any use of such device shall be free from infringement of any third party's intellectual property rights or other proprietary rights, and further, assumes absolutely no liability in the event of any such infringement, or arising from or connected with or related to the use of such devices.
- Upon the sale of any such devices; other than for the buyer's right to use such devices itself, resell or otherwise dispose of the same; no express or implied right or license to practice or commercially exploit any intellectual property rights or other proprietary rights owned or controlled by ROHM CO., LTD., is granted to any such buyer.
- The products in this manual are manufactured with silicon as the main material.
- The products in this manual are not of radiation resistant design.

The products listed in this catalogue are designed to be used with ordinary electronic equipment or devices (such as audio-visual equipment, office-automation equipment, communications devices, electrical appliances, and electronic toys). Should you intend to use these products with equipment or devices which require an extremely high level of reliability and the malfunction of which would directly endanger human life (such as medical instruments, transportation equipment, aerospace machinery, nuclear-reactor controllers, fuel controllers, or other safety devices) please be sure to consult with our sales representatives in advance.

- Notes when exporting
 - It is essential to obtain export permission when exporting any of the above products when it falls under the category of strategic material (or labor) as determined by foreign exchange or foreign trade control laws.
 - Please be sure to consult with our sales representatives to ascertain whether any product is classified as a strategic material.